

# INSTALLATION MANUAL

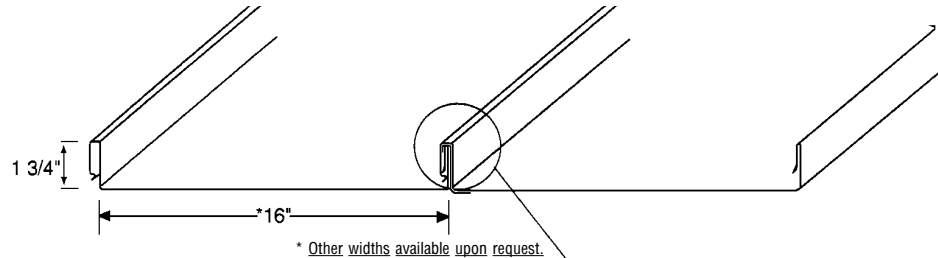


# SL

# TREMLOCK SL



TremLock SL is a concealed fastener architectural standing seam roof panel. The TremLock SL panels are easily installed over decking, utilizing metal clips. TremLock SL panels are ideally suited for decorative mansard, fascia and roofs.



\* Other widths available upon request.

## SUBSTRATE:

24 Gauge Galvalume - Standard Surface. Other gauges and aluminium available upon request.

## PANEL CONFIGURATIONS:

Striated, Ribbed or Flat Pan

## PANEL WIDTH:

16", 18", (and 12" Available Upon Request)

## PANEL LENGTH:

50' Standard Maximum Length. Longer lengths available upon request.

3' 9" Minimum

## PANEL HEIGHT:

1 3/4"

## MINIMUM SLOPE:

3:12

## CLIP SPACING:

See U.L. 90 Classifications - Roof Deck Construction for maximum clip spacing.

## U.L. 90 Classifications - Roof Deck Construction:

U.L. Class 90 - 24 Ga. minimum panel on 4' - 0" maximum purlin spacing, per U.L. construction #255

U.L. Class 60 - 24 Ga. minimum panel on 5' - 0" maximum purlin spacing, per U.L. construction #255

U.L. Class 90 - 24 Ga. minimum panel with clips spaced 36" on center over plywood decking, per U.L. construction #343

U.L. Class 90 - 24 Ga. minimum panel with clips spaced 48" on center over rigid insulation on metal deck, per U.L. construction #468

## IMPACT RESISTANCE:

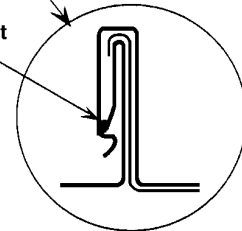
UL 2218 - IMPACT: CLASS 4      EXTERNAL FIRE: CLASS A

## AIR AND WATER INFILTRATION:

TremLock SL systems have been tested in accordance with ASTM E1680 and ASTM E1646 procedures.

Oil canning (pan wave) of metal panels is inherent in the product and is not cause for panel rejection.

Factory Sealant



# ◆ ◆ ◆ ◆ N O T E S ◆ ◆ ◆ ◆

The details shown on the following pages are suggestions or guidelines for installing the TremLock SL system. The installation details shown here are proven methods of construction, but they are not intended to cover all building requirements, designs or codes. The details may require changes or revisions due to individual project conditions.

Installation procedures shall be in accordance with the manufacturer's printed instructions, details or approved shop drawings. Installers should thoroughly familiarize themselves with all instructions prior to beginning the installation process.

The designer/installer is responsible to ensure the following:

- That the details here meet the particular building requirements.
- Awareness of and allowance for expansion/contraction of the roof panels.
- That adequate water tightness is maintained.
- That a proper uniform substructure is used to avoid panel distortion and that the substructure meets necessary code requirements.
- That all supporting members have been examined and are straight, level, and plumb.

Tremco Roofing can provide all flashings and accessories shown in the installation drawings unless noted otherwise. Panels, flashing and trim shall be installed true and in proper alignment with any exposed fasteners equally spaced for the best appearance. Sealant shall be field applied on a clean, dry surface.

Some field cutting and fitting of panels and flashings is to be expected and to be considered a part of normal installation work. Workmanship shall be of the best industry standards with installation performed by experienced metal craftsmen.

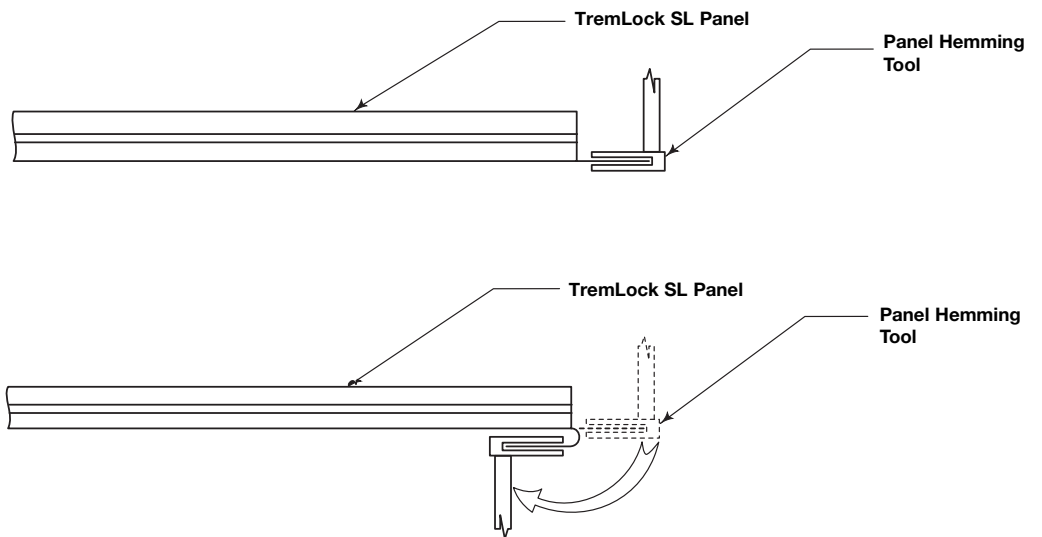
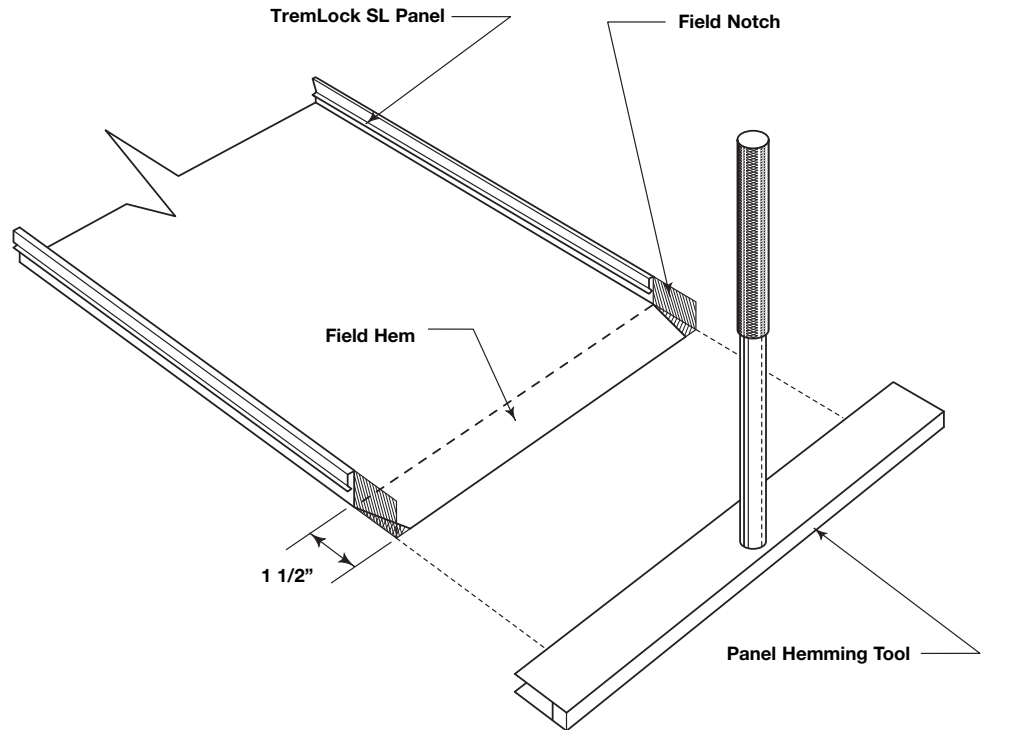
Oil canning of metal panels is inherent in the product and is not a cause for rejection. Striated panels are recommended as they reduce the appearance of oil canning.

Contents of this manual are subject to change without notice. To confirm this book is the most current copy, please visit Tremco Roofing's website at [www.tremcoroofing.com](http://www.tremcoroofing.com).



# TremLock SL

## PANEL HEMMING TOOL



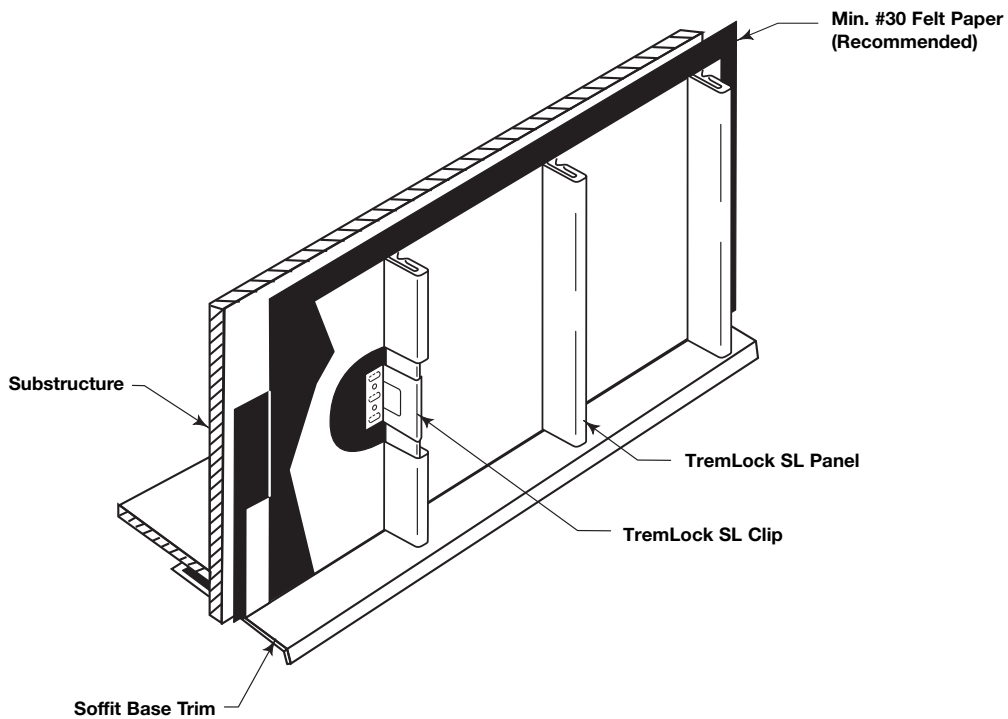
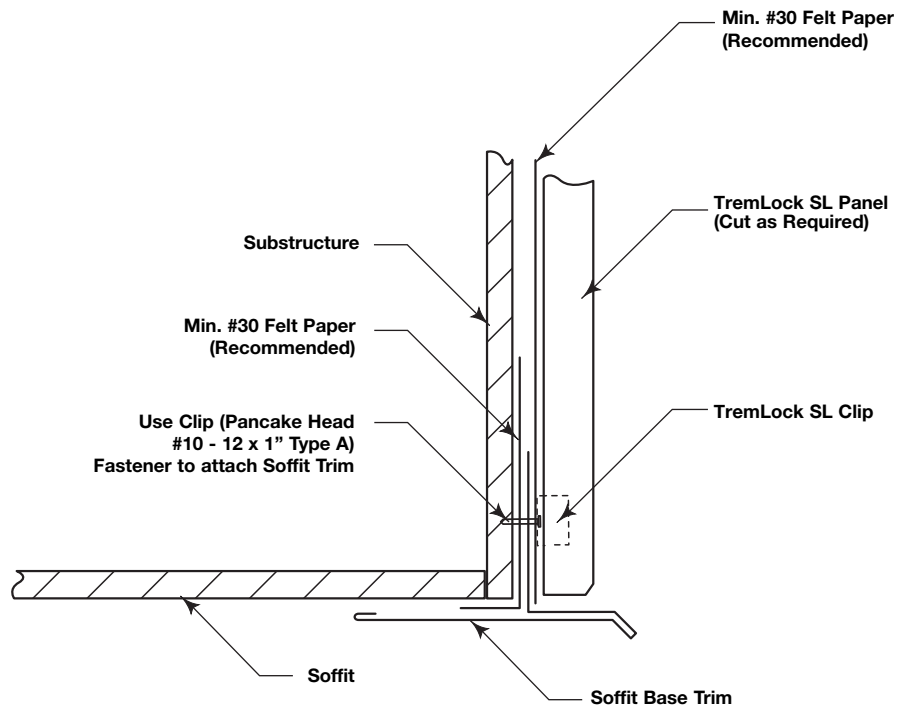
### NOTES:

1. Cut through male and female legs/ribs 1 1/2" up from panel end as shown.
2. Then cut diagonally with metal shears as shown.
3. Place hemming tool over panel tab.
4. Bend down and under to 180° as shown.

***When the eave drip trim condition is used, the panel lengths need to be 3/4" longer than panels used for offset cleat condition.***

# TremLock SL

## WALL PANEL BASE

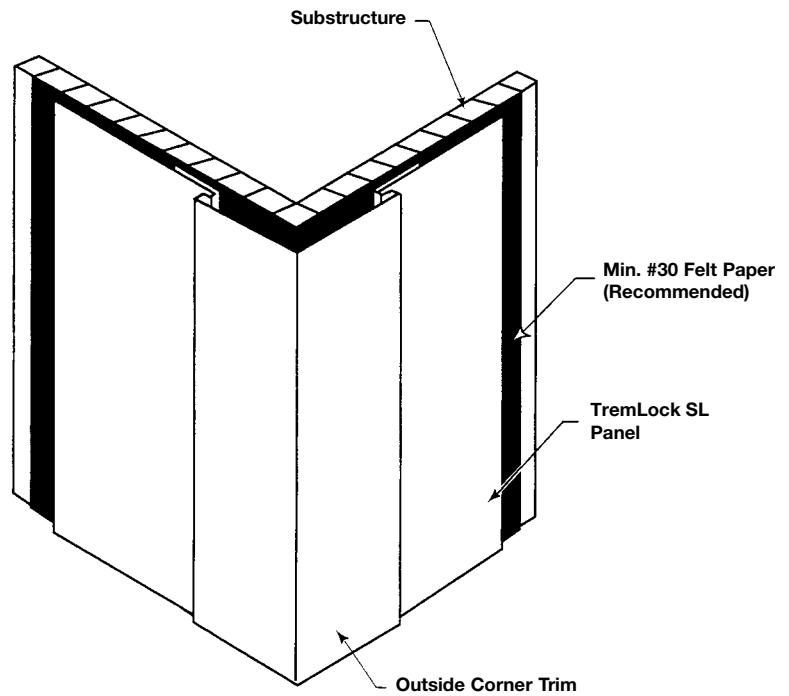
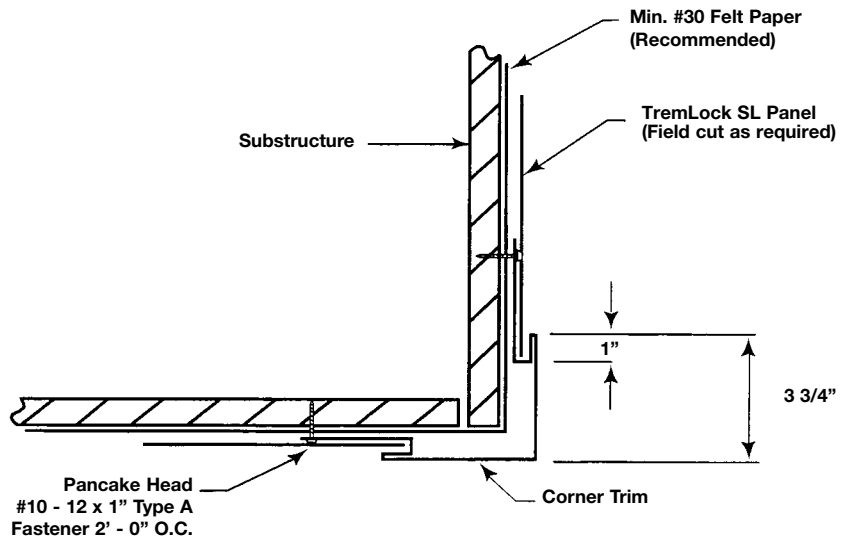


### NOTES:

1. Soffit base trim should be installed with the clip fastener.

# TremLock SL

## OUTSIDE CORNER

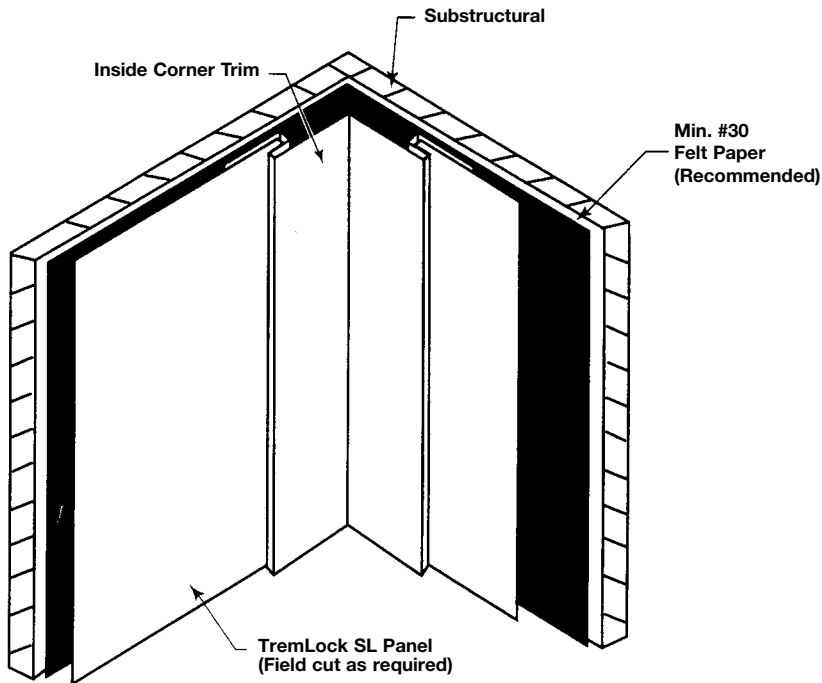
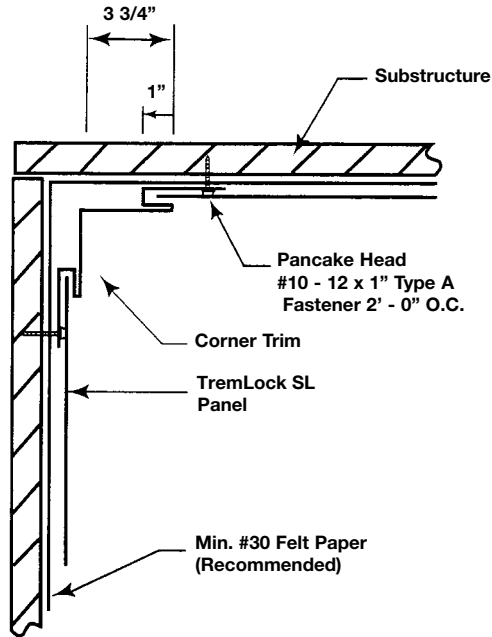


### NOTES:

1. Attach corner trim with fasteners on 2'-0" centers.
2. Field cut panels, as shown, to fit into corner trim.

# TremLock SL

## INSIDE CORNER

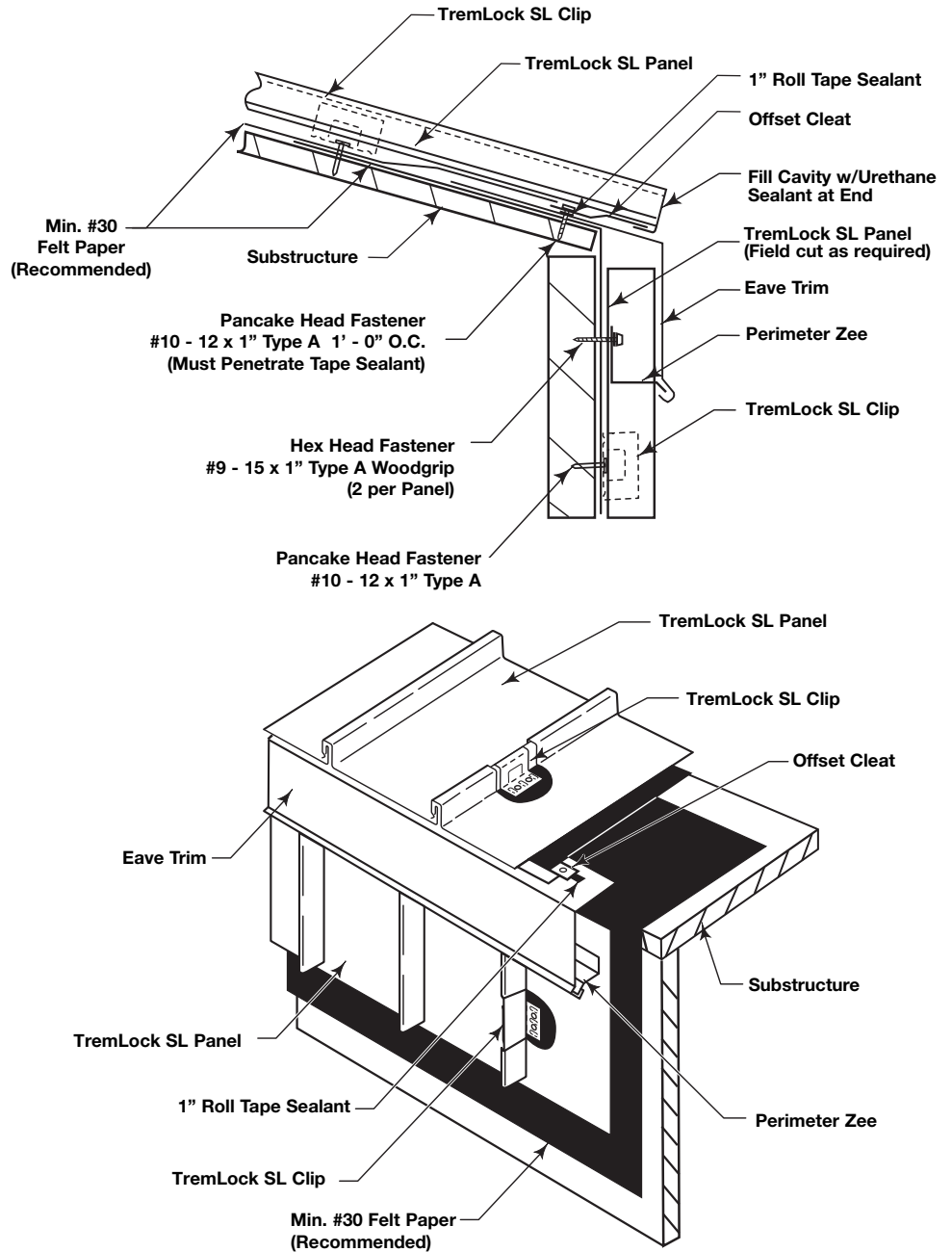


### NOTES:

1. Attach corner trim with fasteners on 2'-0" centers.
2. Field cut panels, as shown, to fit into corner trim.

# TremLock SL

## EAVE TO WALL TRANSITION



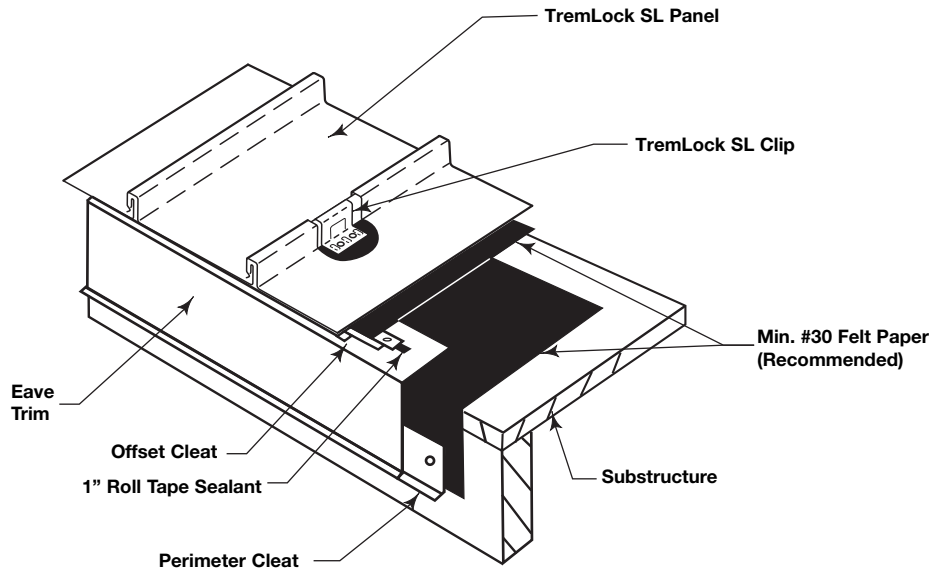
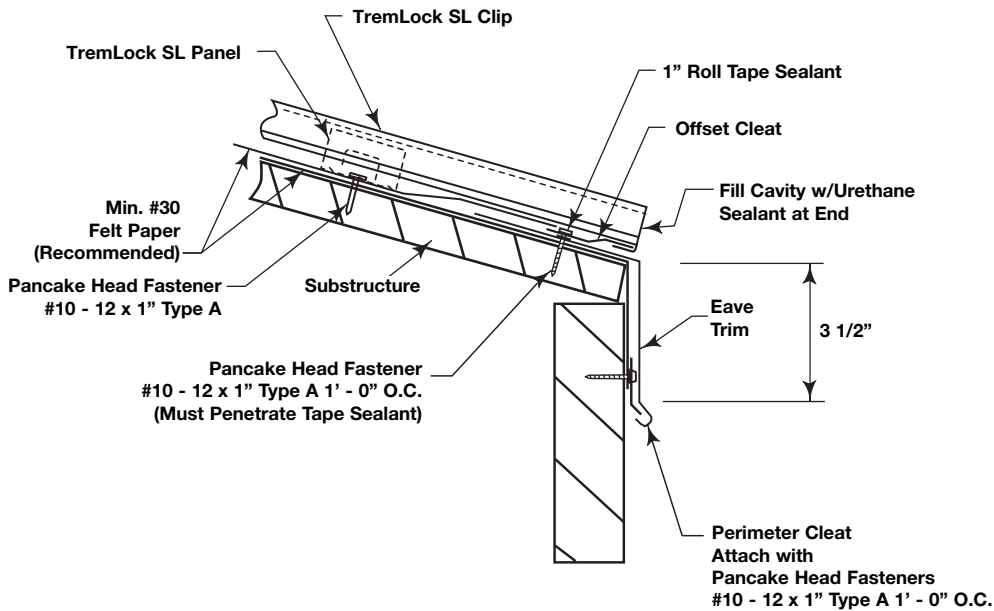
### NOTES:

1. Locate a clip approximately 6" down from transition and attach panel.
2. Attach perimeter zee as shown.
3. Secure eave trim to perimeter zee.
4. Apply a continuous run of 1" roll tape sealant on eave trim.
5. Locate offset cleat over tape sealant and fasten to substructure. Pancake head fasteners should penetrate the sealant.
6. Locate a clip approximately 6" up from transition.
7. Before attaching TremLock SL panels, field cut 1 1/2" off the leg of the panel and hem panel. Allow clearance for thermal movement.



# TremLock SL

## STANDARD EAVE WITH OFFSET CLEAT

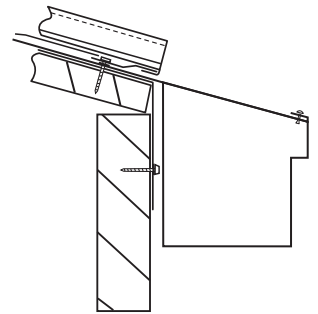
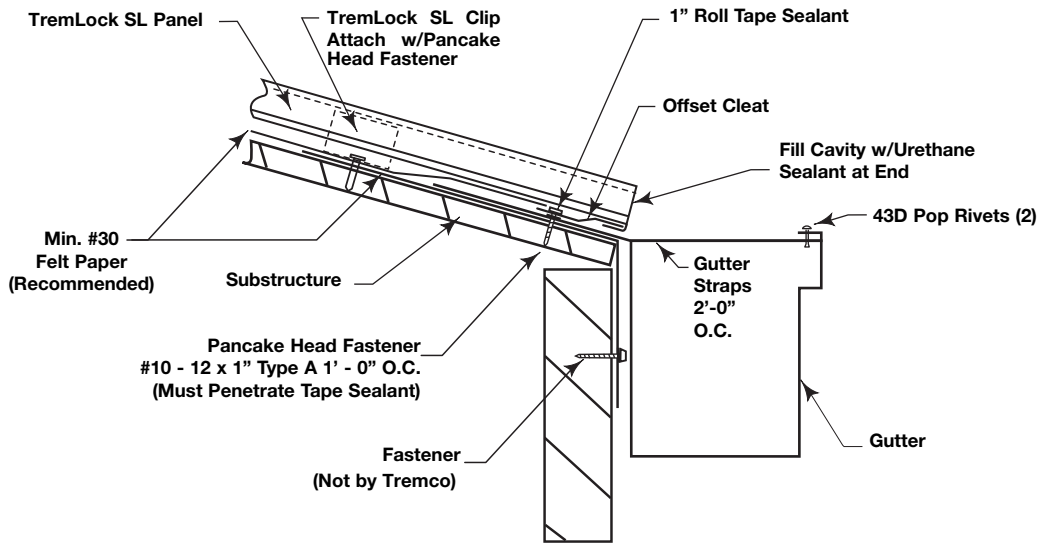


### NOTES:

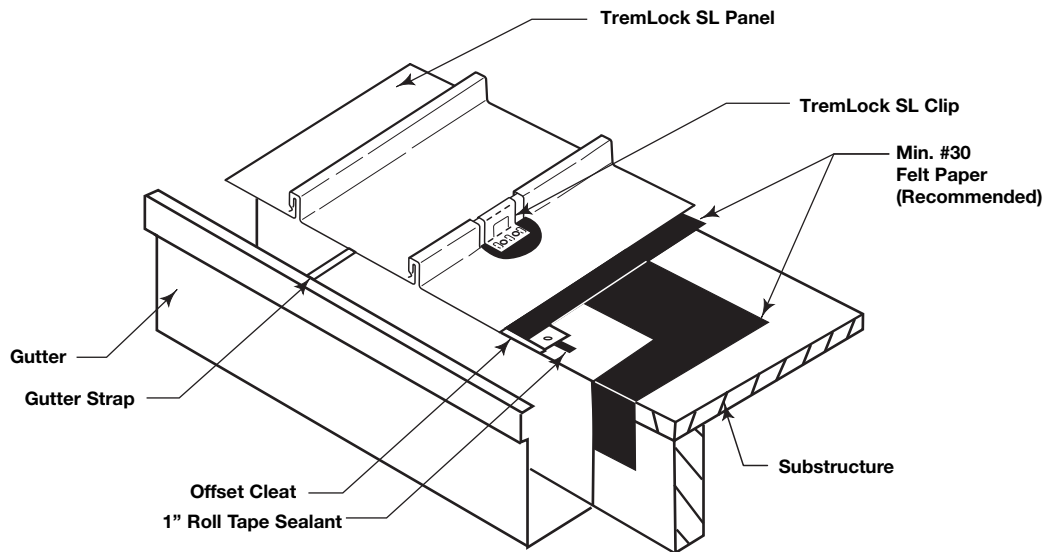
1. Attach perimeter cleat as shown.
2. Secure eave trim to perimeter cleat.
3. Apply a continuous run of 1" roll tape sealant on eave trim.
4. Locate offset cleat over tape sealant and fasten to substructure. Pancake head fasteners should penetrate the sealant.
5. Locate a clip approximately 6" up from transition.
6. Before attaching TremLock SL panels, field cut 1 1/2" off the leg of the panel and hem panel. Allow clearance for thermal movement.

# TremLock SL

## EAVE WITH STANDARD GUTTER



SUGGESTED FOR HIGH SNOW AREAS  
SNOW GUARDS REQUIRED TO PREVENT  
DAMAGE CAUSED BY SLIDING SNOW.

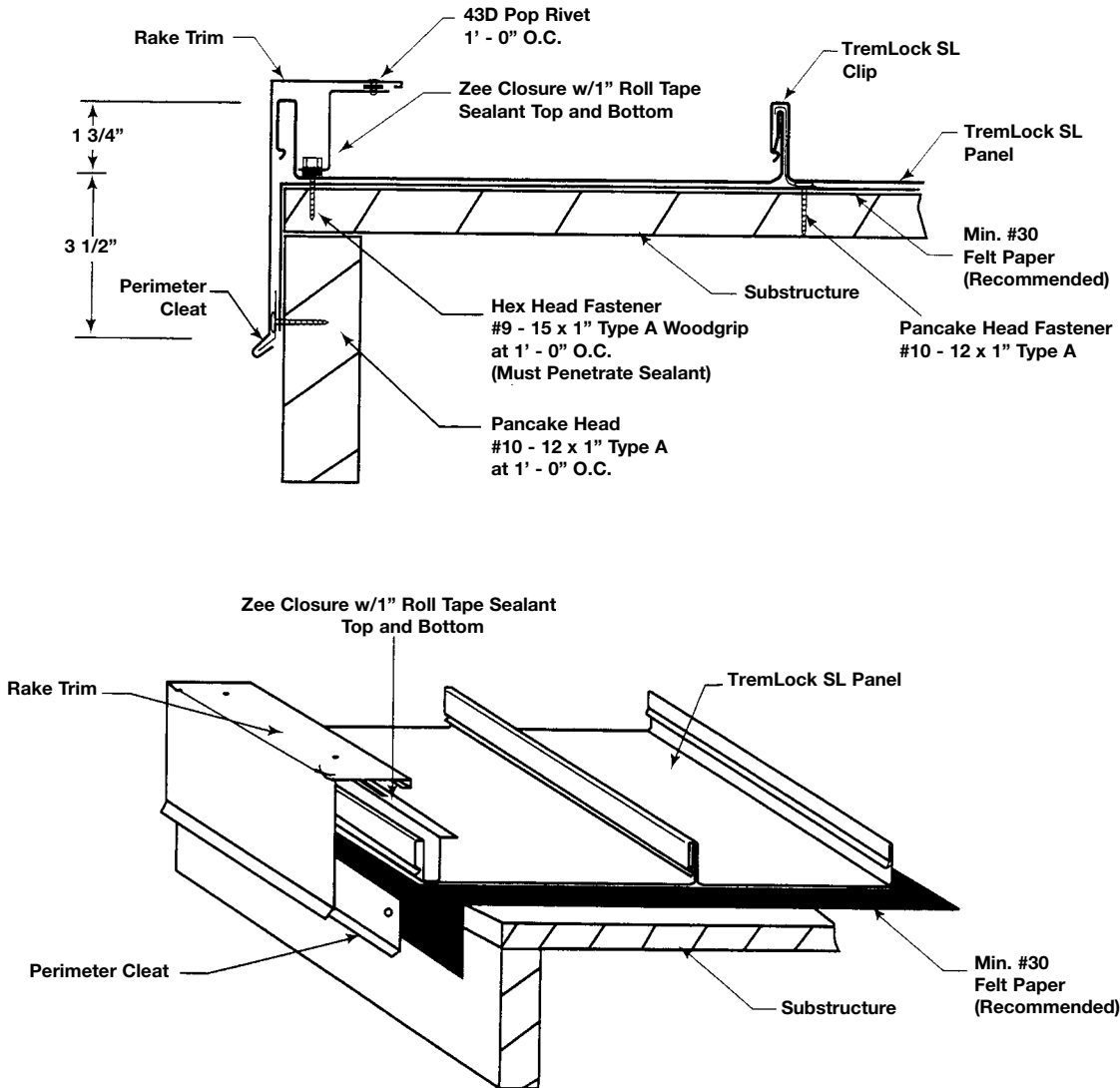


### NOTES:

1. Locate gutter and place a continuous run of 1" roll tape sealant in gutter leg.
2. Locate a gutter strap at 2'-0" on center. Place tape sealant on strap.
3. Locate offset cleat and fasten through cleat, strap, sealant, gutter and into the substructure.
4. Install panel. Allow clearance. Field cut 1 1/2" off leg of panel and hem panel.
5. Field bend gutter strap and attach to gutter with two (2) 43D pop rivets.

# TremLock SL

## RAKE - STARTING ON MODULE WITHOUT WALL PANEL

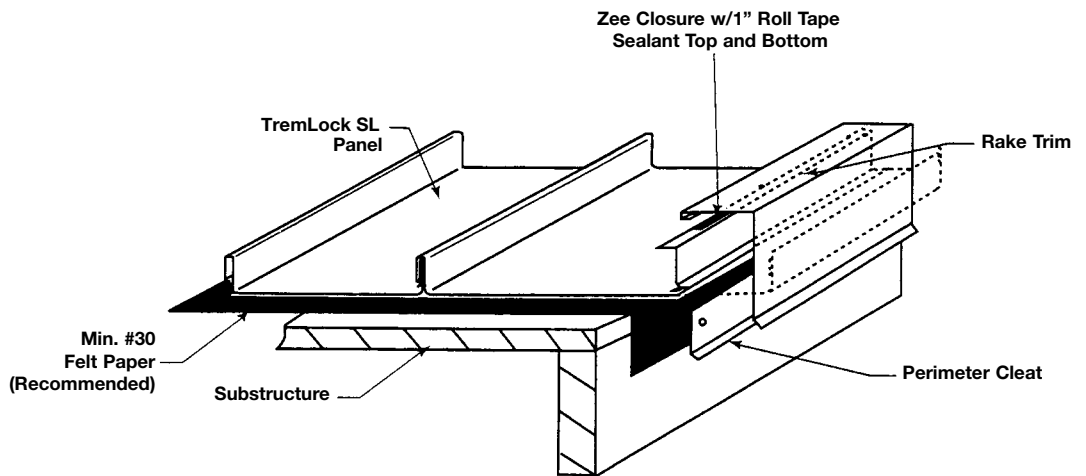
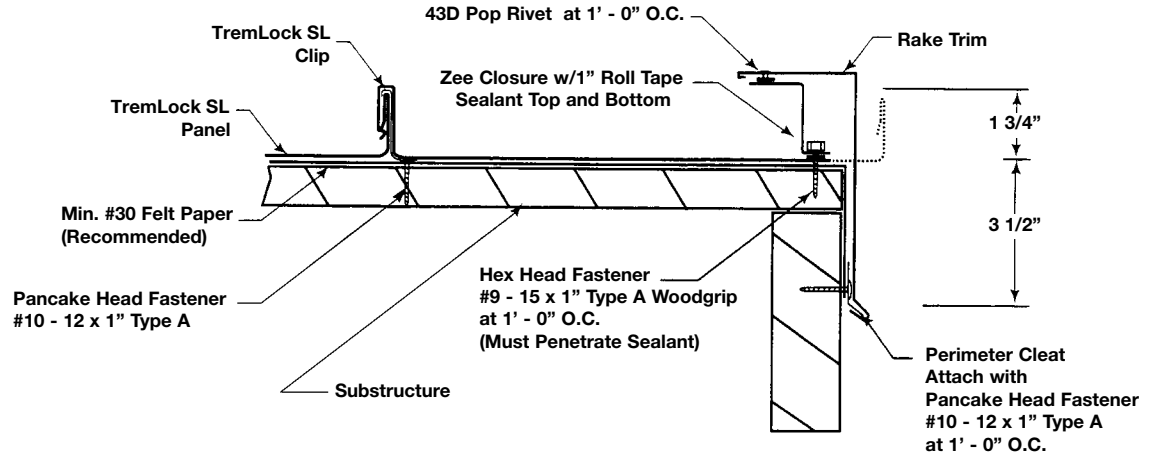


### NOTES:

1. Start a TremLock SL panel on the wood or steel-line as shown.
2. Apply a continuous run of 1" roll tape sealant under zee closure before fastening.
3. Apply a continuous run of 1" roll tape sealant over zee closure before fastening rake trim.
4. Fasten perimeter cleat per dimension shown. Follow roof slope, and then attach rake trim.

# TremLock SL

## RAKE - TERMINATING OFF MODULE W/O WALL PANELS

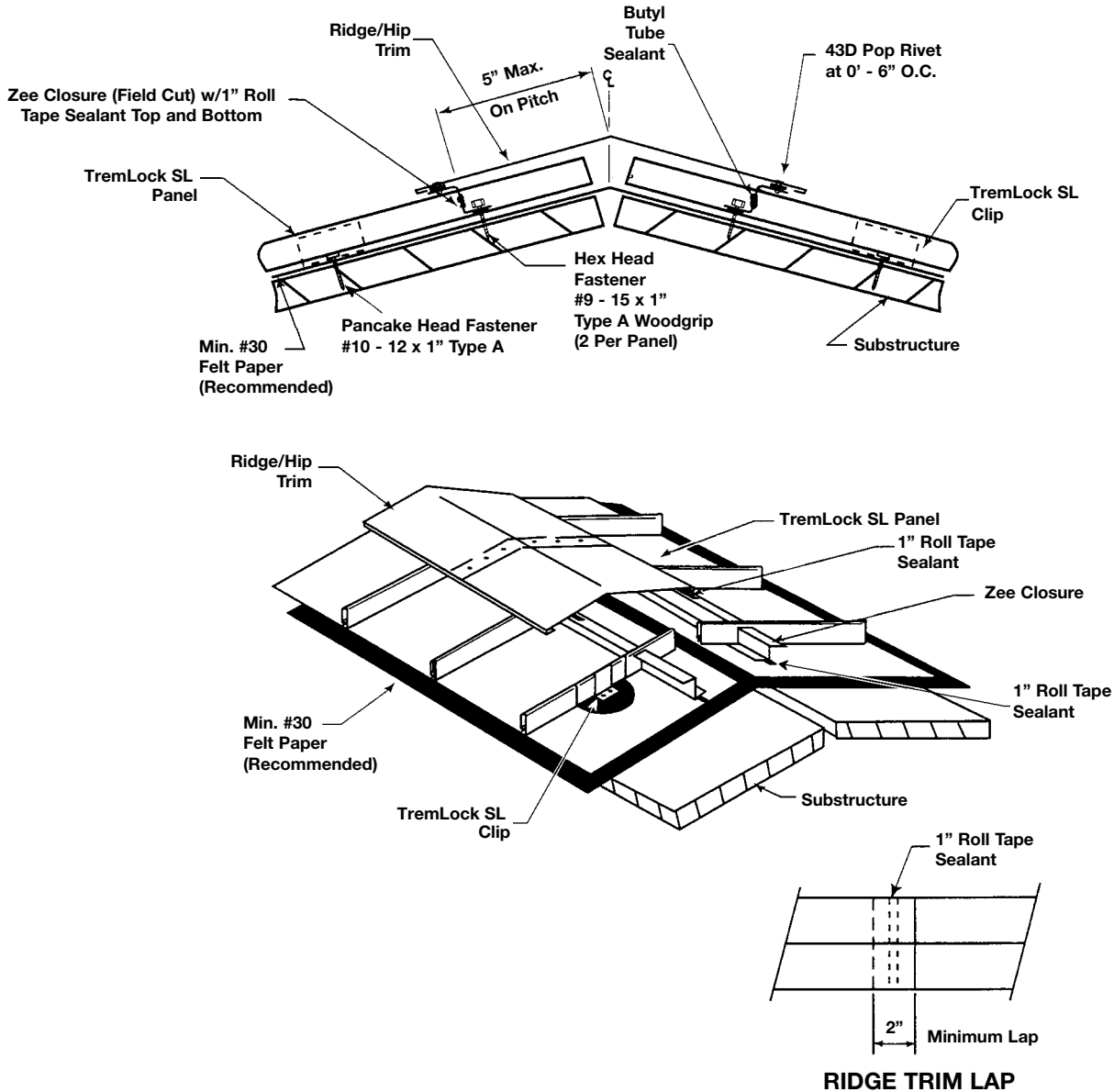


### NOTES:

1. Field cut TremLock SL panel as required.
2. Apply a continuous run of 1" roll tape sealant under zee closure before fastening.
3. Attach zee closure with #9 - 15 x 1" fasteners on 1'-0" centers.
4. Apply a continuous run of 1" roll tape sealant over zee closure before fastening rake trim.
5. Fasten perimeter cleat as shown. Follow roof slope, and then attach rake trim.

# TremLock SL

## RIDGE / HIP

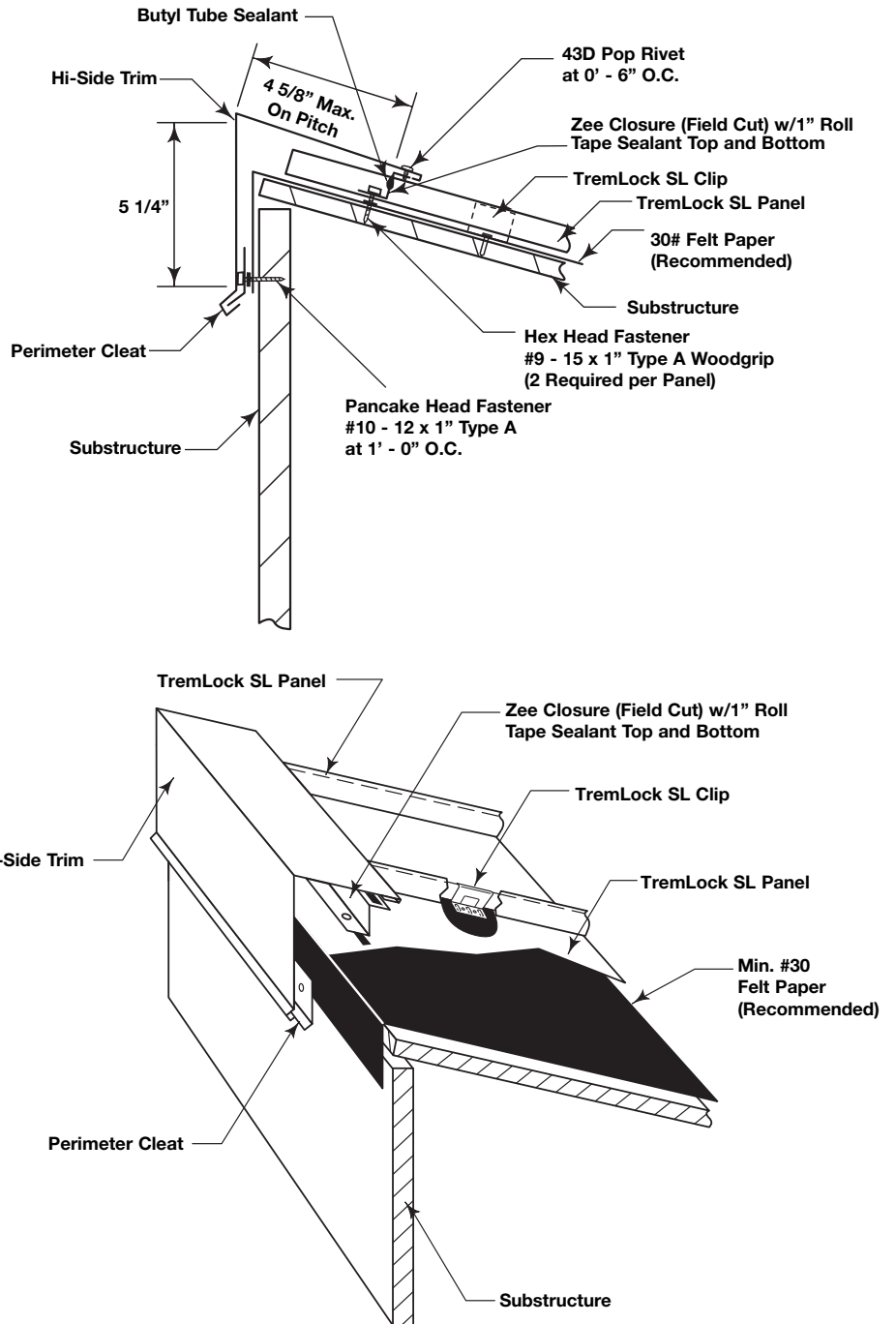


### NOTES:

1. Install panels with a clip approximately 1'-0" downhill on each side of the ridge or hip.
2. Apply a continuous run of 1" roll tape sealant between the panel legs about 5" maximum down from centerline of ridge.
3. Field cut and attach zee closure with two (2) #9 - 15 x 1" fasteners through closure, sealant, panel and into substructure. See detail for location dimension.
4. Apply tube sealant to zee closure and panel ribs.
5. Apply a continuous run of 1" roll tape sealant to top of "Z" closure.
6. Attach ridge/hip trim to zee closure with a 43D pop rivet on 6" centers.
7. Lap ridge/hip trim with 1" roll tape sealant and pop rivets as shown. Lap away from the prevailing wind direction. Attach with 43D pop rivets 4" on center maximum.

# TremLock SL

## HIGH SIDE EAVE WITHOUT WALL PANEL

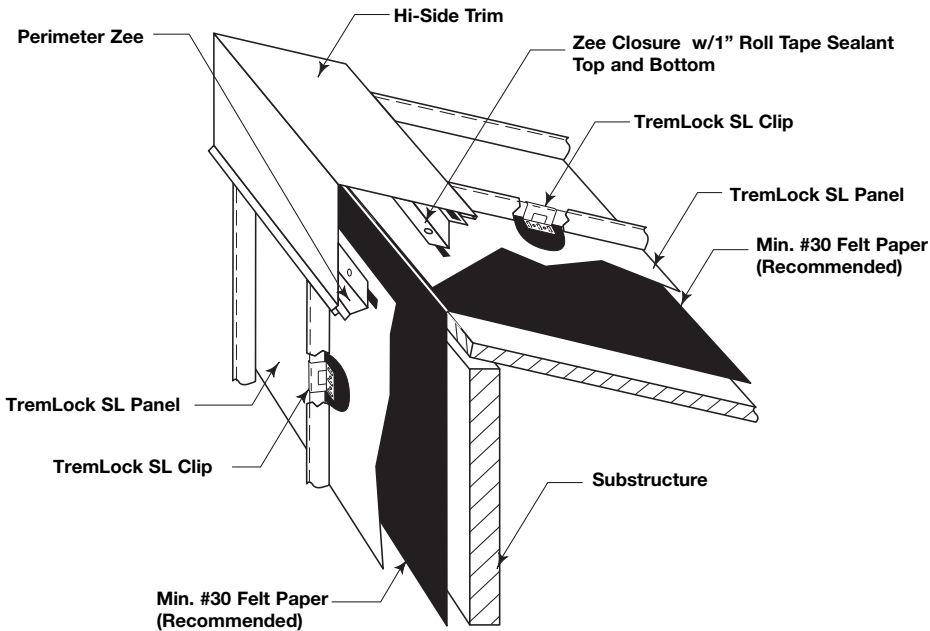
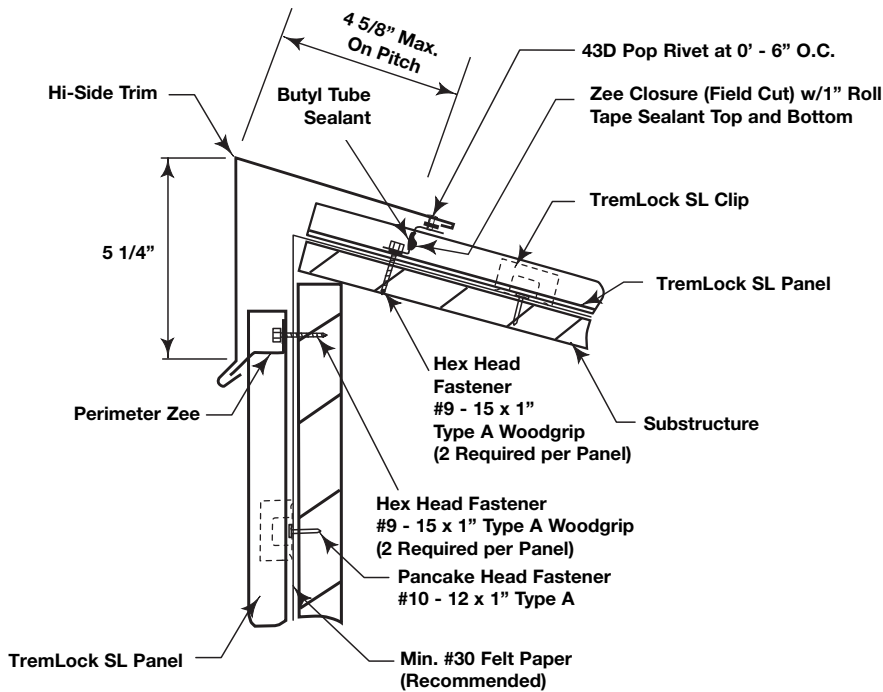


### NOTES:

1. Place a continuous run of 1" tape sealant between the panel legs.
2. Field cut and attach zee closure with two (2) #9 - 15 x 1" fasteners through closure, sealant, panel and into substructure.
3. Apply tube sealant to zee closure and panel ribs.
4. Attach sidewall perimeter zee.
5. Slide hi-side trim over perimeter zee, before attaching to zee closure. Place a run of 1" tape over zee closure.
6. Attach hi-side trim to zee closure with 43D pop rivets on 0'-6" centers.

# TremLock SL

## HIGH SIDE EAVE WITH WALL PANEL

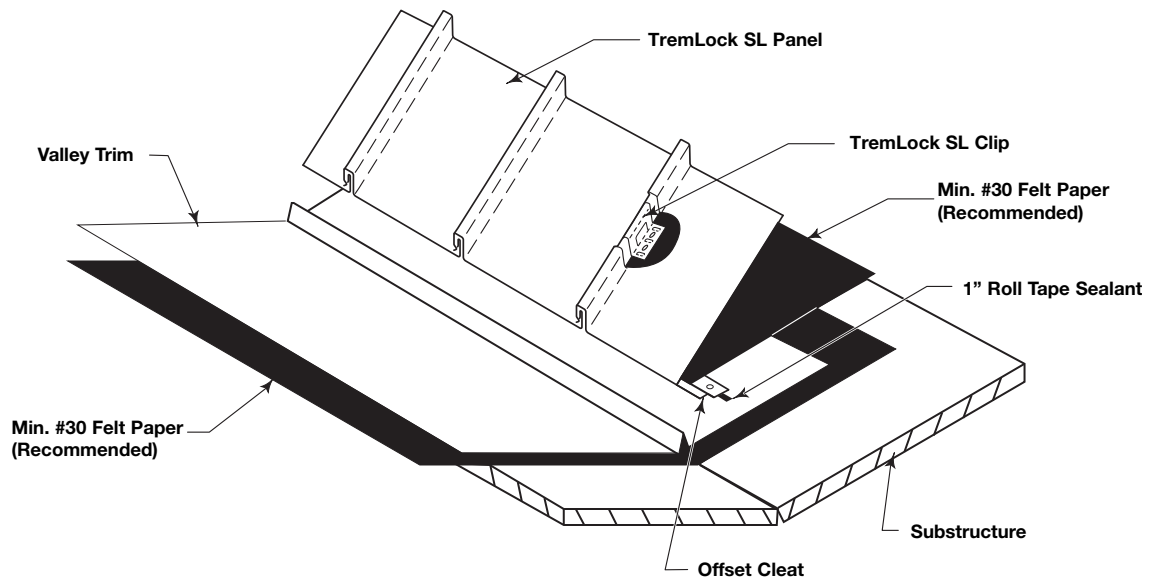
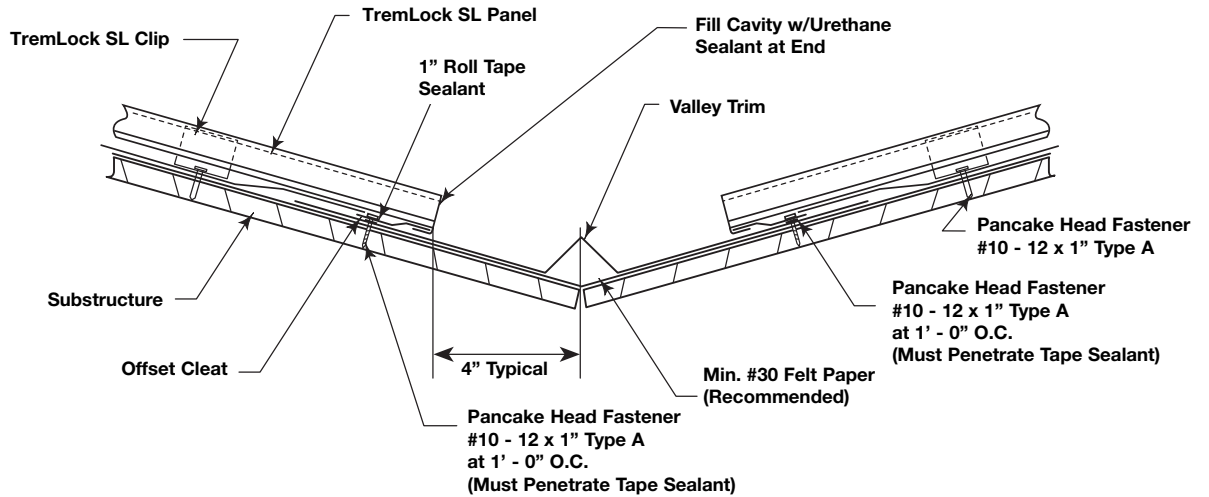


### NOTES:

1. Place a continuous run of 1" tape sealant between the panel legs.
2. Field cut and attach zee closure with two (2) #9 - 15 x 1" fasteners through closure, sealant, panel and into substructure.
3. Apply tube sealant to zee closure and panel ribs.
4. Attach sidewall perimeter cleat.
5. Slide hi-side trim over perimeter cleat, before attaching to zee closure. Place a run of 1" tape over zee closure.
6. Attach hi-side trim to zee closure with 43D pop rivets on 0'-6" centers.

# TremLock SL

## VALLEY



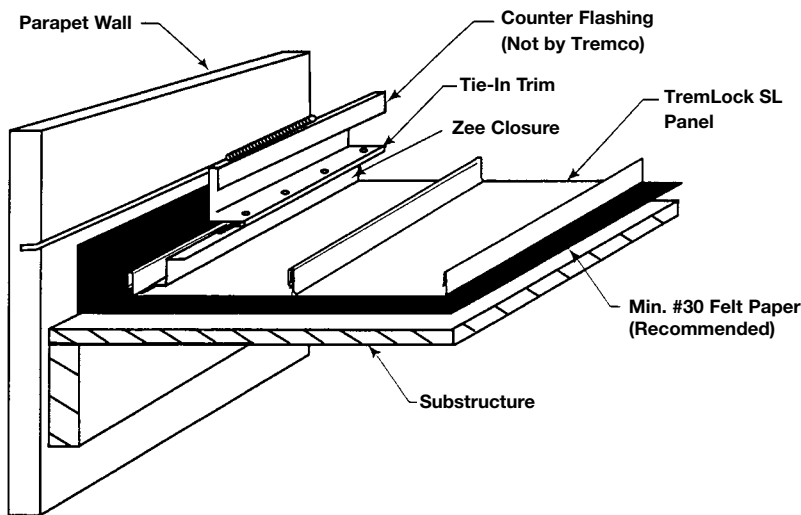
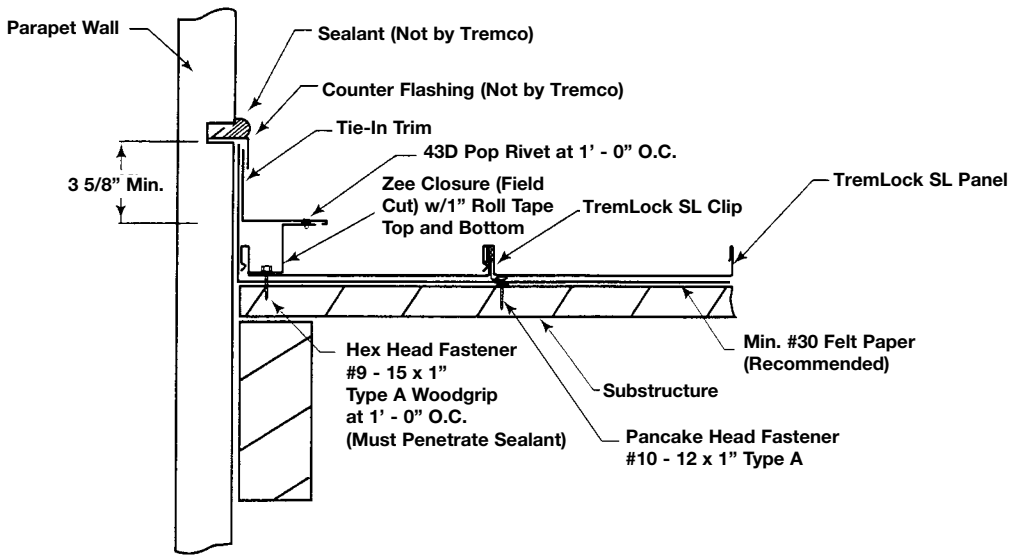
### NOTES:

1. Locate valley trim over substructure.
2. Apply a continuous run of 1" roll tape sealant over valley trim and under offset cleat.
3. Locate offset cleat approximately 4" from center of valley trim and fasten through cleat, sealant, valley trim and into substructure.
4. Locate a clip 6" from end of panel.
5. Field cut 1 1/2" off leg of panel and hem panel. Allow clearance for thermal movement.



# TremLock SL

## START RAKE TIE-IN - ENDWALL PARAPET

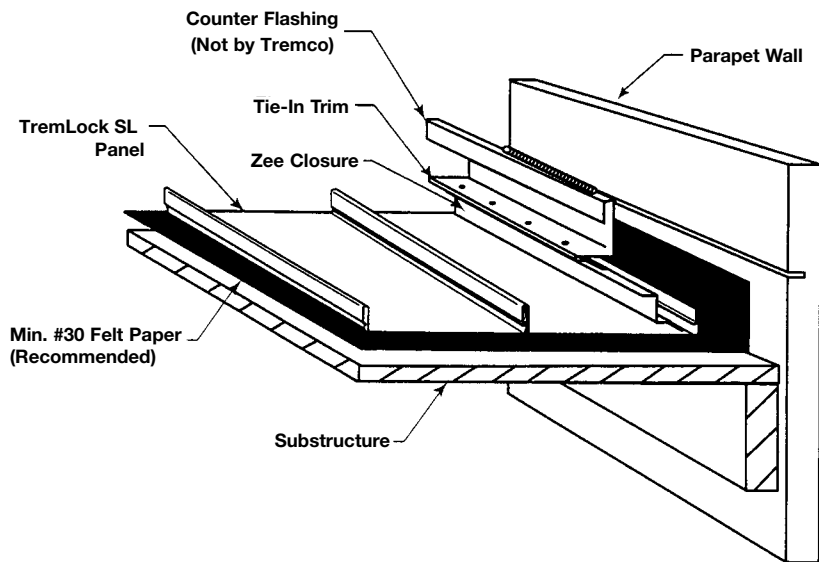
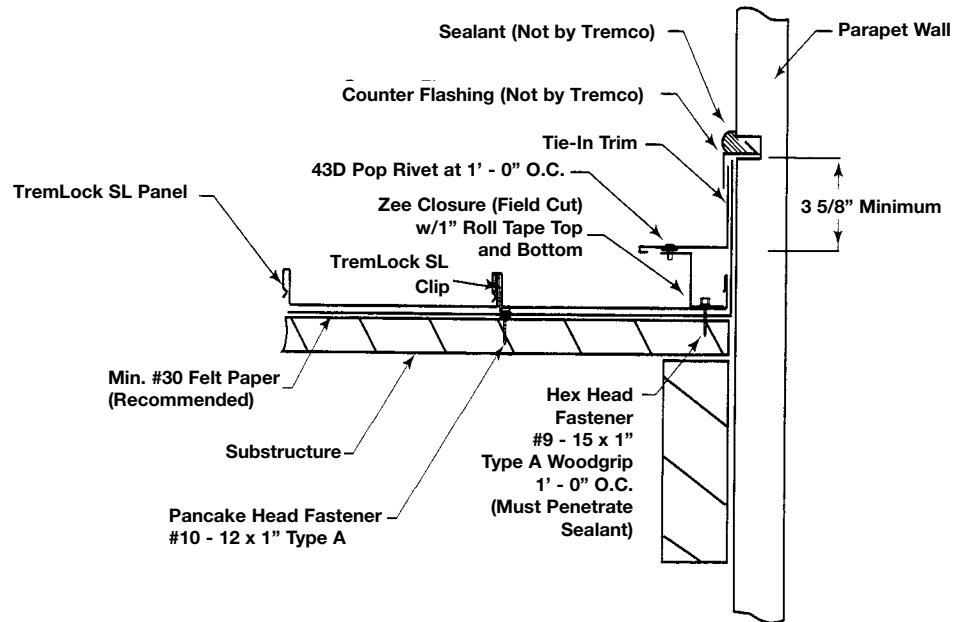


### NOTES:

1. After panels are installed, cut termination at wall if required.
2. Apply a continuous run of 1" roll tape sealant on panel approximately 1 1/2" in from edge of substructure.
3. Locate zee closure over tape sealant and attach with #9 - 15 x 1" fasteners on 1'- 0" centers.
4. Apply a continuous run of 1" roll tape sealant over zee closure.
5. Fasten tie-in trim to zee closure with 43D pop rivets on 1'- 0" centers.
6. Counter flashing and sealant are not by Tremco Roofing.

# TremLock SL

## FINISH RAKE TIE-IN - ENDWALL PARAPET

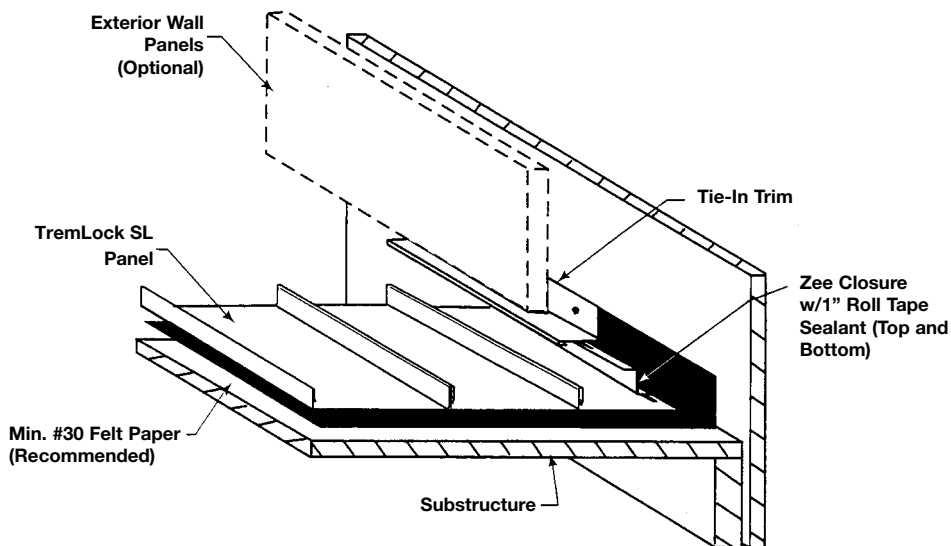
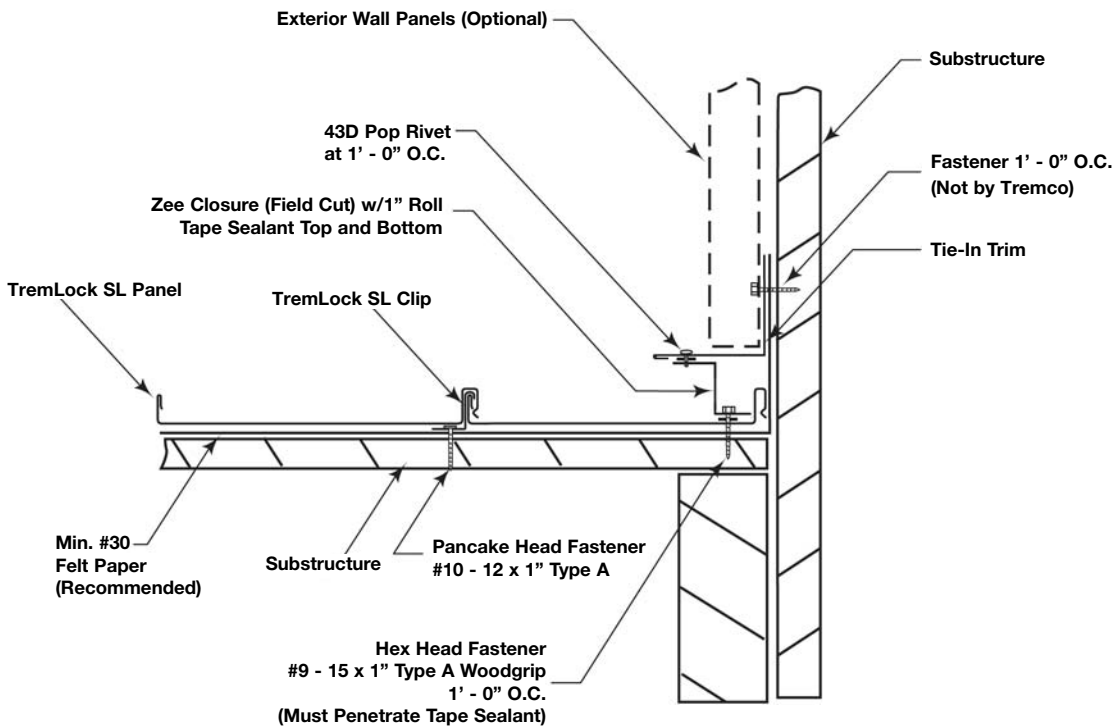


### NOTES:

1. After panels are installed, cut termination at wall if required.
2. Apply a continuous run of 1" roll tape sealant on panel approximately 1 1/2" in from edge of substructure.
3. Locate zee closure over tape sealant and attach with #9 - 15 x 1" fasteners on 1'-0" centers.
4. Apply a continuous run of 1" roll tape sealant over zee closure.
5. Fasten tie-in trim to zee closure with 43D pop rivets on 1'-0" centers.
6. Counter flashing and sealant are not by Tremco Roofing.

# TremLock SL

## START RAKE TIE-IN - ENDWALL WITH WALL PANEL

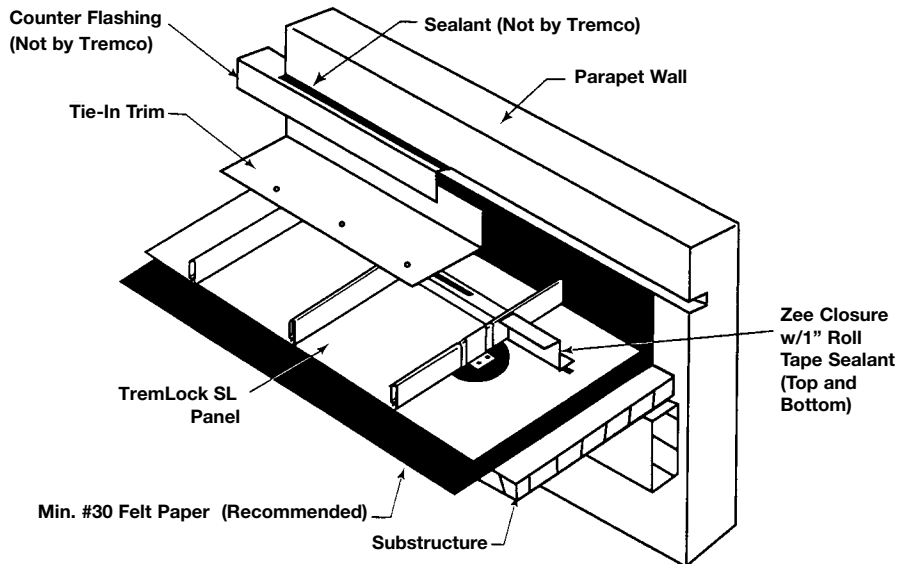
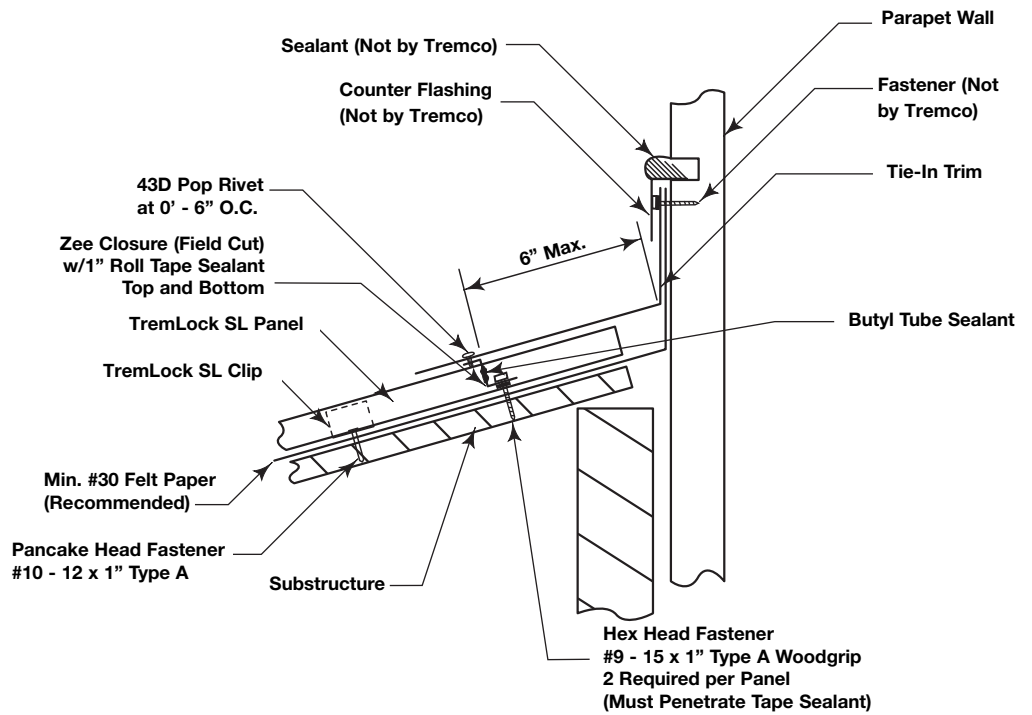


### NOTES:

1. After panels are installed, cut termination at wall if required.
2. Apply a continuous run of 1" roll tape sealant on panel approximately 1 1/2" in from edge of substructure.
3. Locate zee closure over tape sealant and attach with #9 - 15 x 1" fasteners on 1'-0" centers.
4. Apply a continuous run of 1" roll tape sealant over zee closure.
5. Fasten tie-in trim to zee closure with 43D pop rivets on 1'-0" centers. Fastener for trim to substructure is not by Tremco Roofing.

# TremLock SL

## HIGH SIDE TIE-IN - SIDEWALL PARAPET ABOVE ROOFLINE

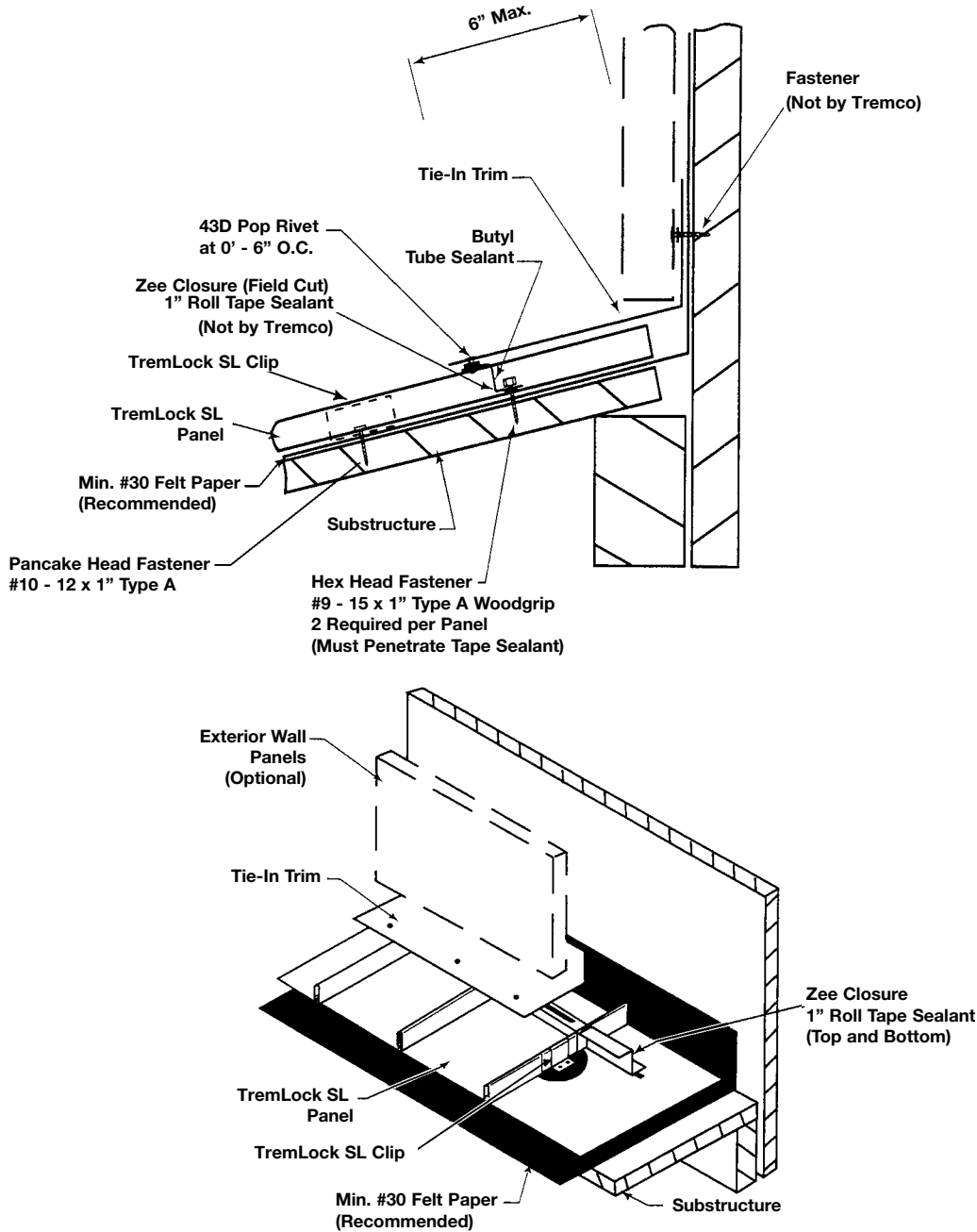


### NOTES:

1. After panels are installed, place a continuous run of 1" roll tape sealant approximately 6" from edge of wall substructure.
2. Field cut zee closure and install over tape sealant and attach with two (2) #9 - 15 x 1" fasteners through closure, sealant, panel and into substructure. Locate as shown.
3. Apply tube sealant to zee closure and panel ribs.
4. Apply a continuous run of 1" roll tape sealant over zee closure and fasten trim to closure with 43D pop rivets on 6" centers. Use tube sealant at closure.
5. Fasteners for attachment to parapet wall is not by Tremco Roofing.
6. Counter flashing and sealant to parapet wall are not by Tremco Roofing.

# TremLock SL

## HIGH SIDE TIE-IN - SIDEWALL WITH WALL PANELS

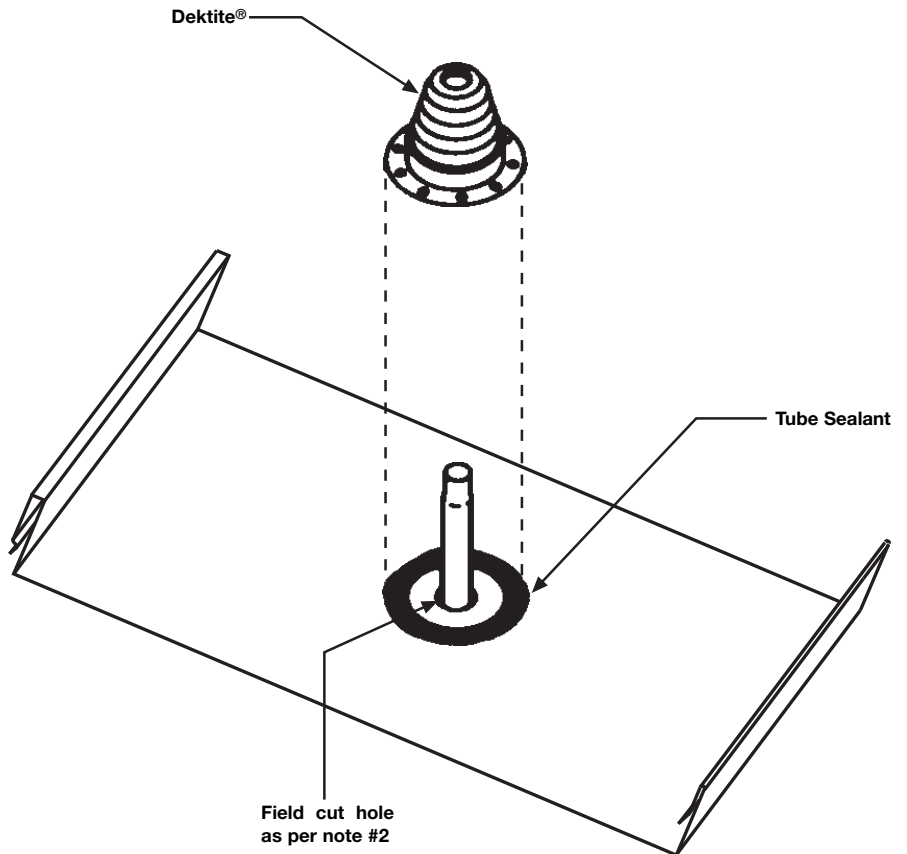


### NOTES:

1. After panels are installed, place a continuous run of 1" roll tape sealant approximately 6" from edge of wall substructure.
2. Field cut zee closure and install over tape sealant and attach with two (2) #9 -15 x 1" fasteners through closure, sealant, panel and into substructure. Locate as shown.
3. Apply tube sealant to zee closure and panel ribs.
4. Apply a continuous run of 1" roll tape sealant over zee closure and fasten trim to closure with 43D pop rivet on 6" centers. Use tube sealant at closure.
5. Fasteners for attachment to wall substructure are not by Tremco Roofing.

# TremLock SL

## ROOF JACK INSTALLATION



### NOTES:

1. Before cutting hole in sheet, consider the best position to suit size of Dektite® selected.
2. Cut a neat hole with minimum clearance for pipe and install pipe.
3. Rubber sleeve should be a watertight fit on pipe. If rubber has to be cut, a neat hole 1/2" dia. less than outside pipe diameter should be cut in Dektite®. Use a sharp pair of scissors and avoid nicks.
4. Apply tube sealant to underside of base and, using water as lubricant, slide flashing along until it meets sheet.
5. Hand press Dektite® base on to sheet, pressing base firmly to sheet to avoid gaps, progressively drill and fasten to sheet. Fasten to panel with 1/4 - 14 x 7/8" LAPTEK ZAC Fasteners.





**www.tremcoroofing.com**

3735 Green Road • Beachwood, Ohio 44122 • 1.800.852.6013

50 Beth Neelson Drive • Toronto, Ontario M4H 1M6 • 1.800.668.9879



???

8/10/18