

TREMLOCK[®] SL

PRODUCT INFORMATION

Composition and Material:

TremLock SL roof panels are a factory roll formed material from 24 or 22 gauge Galvalume steel, coated both sides with a layer of 55% aluminum-zinc alloy coated by the hot dip process per ASTM specification A792/A792M. Panels are joined by an integral locking seam and held in place by concealed clips. A bead of sealant is factory applied in the TremLock SL seam.

Basic Use:

TremLock SL is a snap-loc architectural standing seam metal roof system intended for applications where solid substrate is provided with a minimum slope of 3:12. The roof system may also be used in a near vertical application such as fascias, mansards or equipment screens.

System Design:

All components of the TremLock SL roof panel system is designed in accordance with sound engineering methods and practices. The TremLock SL shall be installed over solid decking (wood or metal) with minimum slope of 3:12. A self-adhering underlayment is required to be installed between the deck and the TremLock SL roof panels. The panels shall be attached to the supporting deck by means of a Galvanized 18-gauge minimum panel clip. The panel and its attachments shall be designed to support all required roof loads.

Application Data:

Refer to Installation Manual for application data.

SECTION PROPERTIES

				TOP IN COMPRESSION			BOTTOM IN COMPRESSION		
Panel Width	Panel Gauge	Weight PSF	FY	Ix IN.4	Se IN.3	Ma KIP IN.	Ix IN.4	Se IN.3	Ma KIP IN.
16"	24	1.38	50	.0860	.0561	1.68	.0400	.0479	1.2480
18"	24	1.27	50	.0770	.0501	1.4990	.0350	.0426	1.1100

NOTE:

1. Section properties are calculated in accordance with the 2001 AISI North American Specification for the Design of Cold-Formed Steel Structural Members.
2. Ix is for deflection determination.
3. Se is for bending.
4. Ma is the allowable bending moment.
5. All values are for one foot of panel width.

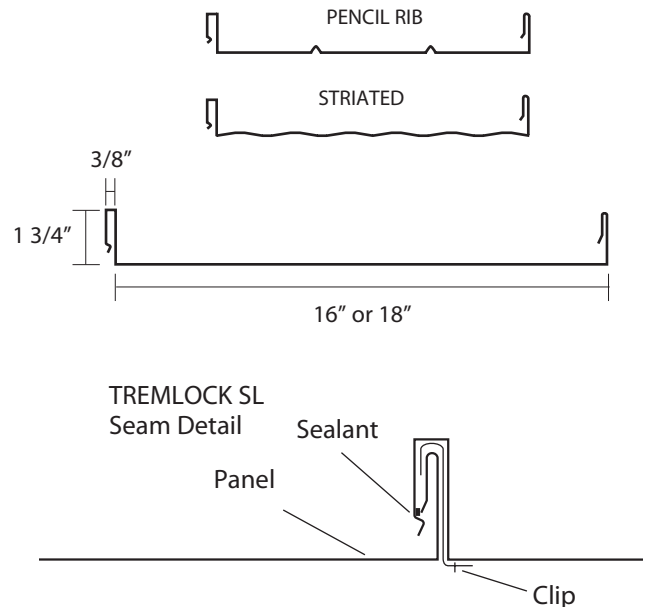
TREMLOCK SL LOAD TABLE

ALLOWABLE LOADS (PSF)*											
		POSITIVE WIND LOAD					LIVE LOAD				
Width	Ga.	3'	3.5'	4'	4.5'	5'	3'	3.5'	4'	4.5'	5'
16"	24	111	82	63	50	41	111	82	63	50	41
18"	24	99	73	56	44	36	99	73	56	44	36

GENERAL LOAD TABLE NOTES:

1. Allowable uniform loads are based upon equal span lengths.
2. Positive Wind is wind pressure and is NOT increased by 33 1/3%.
3. Live is the allowable live or snow load.
4. Deflection (L/180) is the allowable load that limits the panel's deflection to L/180 while under positive or live load.
5. The weight of the panel has NOT been deducted from the allowable loads.
6. Positive Wind and Live Load values are limited to combined shear & bending using Eq. C3.3.1-1 of the AISI Specification.
7. Positive Wind and Live Load values are limited by web crippling using a bearing length of 2".
8. Web crippling values are determined using a ratio of the uniform load actually supported by the top flanges of the section.

* Oil canning is a natural occurrence in metal panels and is not a cause for panel rejection.



FEATURES:

- Factory installed rib sealant
- Snap together panels
- Intended for applications where substrate is provided
- UL Approved

BENEFITS:

- Ensures a uniform seal in the seam
- No field seaming required
- 3:12 Slope and above, such as vertical application, mansards, equipment screens

UL Wind Uplift for 16" & 18" Panels

AVAILABILITY AND COST:

Contact your local Tremco Roofing Representative for pricing and availability. For the name and number of your local representative, call the Roofing Division at 216/292-5000.

MAINTENANCE:

Your local Tremco Roofing Representative can provide you with effective maintenance procedures, which may vary depending upon specific conditions. Periodic inspections, early repairs and preventive maintenance are all part of a sound roof program.

GUARANTEE/WARRANTY:

Tremco Incorporated warrants TremLock SL metal roof system to be free of defects and to meet published physical properties when tested according to ASTM and Tremco standards. Under warranty, any TremLock SL product that is proved to be defective when applied in accordance to our written instructions, and in applications recommended by Tremco as suitable for this product will be replaced with like product at no charge. THIS IS BUYER'S SOLE AND EXCLUSIVE REMEDY.

All claims concerning product defects must be made in writing within twelve (12) months of shipment. The absence of such claims in writing during this period will constitute a waiver of all claims with respect to such product.

This warranty shall be IN LIEU of any other warranty, express or implied, including but not limited to, any implied warranty of MERCHANTABILITY OR FITNESS FOR A PARTICULAR PURPOSE.

TECHNICAL SERVICES:

Your local Tremco Representative, working with the Technical Service staff, can help analyze conditions and needs to develop recommendations for special applications. The services of the Tremco Research Center, which has earned a unique reputation in weatherproofing technology, complement and extend the services of the Tremco Technical Service Staff.

STATEMENT OF POLICY AND RESPONSIBILITY:

Tremco takes responsibility for furnishing quality materials and for providing specifications and recommendations for their proper installation.

As neither Tremco itself or its Representatives practice architecture or engineering, Tremco offers no opinion on, expressly disclaims any responsibility for the soundness of any structure on which its products may be applied. If questions arise as to the soundness of a structure or its ability to support a planned installation properly, the Owner should obtain the opinion of competent structural engineers before proceeding. Tremco accepts no liability for any structural failure or for the resultant damages, and no Tremco Representative is authorized to vary this disclaimer.



Kynar 500 is a registered trademark of Elf Autochem North America, Inc.
Hylar 5000 is a registered trademark of Ausimont USA, Inc.
TremLock is a registered trademark of Tremco Incorporated