

Product Description:

TremLock™ Fascia combines formed aluminum or formed galvanized fascia with a galvanized metal cant than can be used with all types of flashing membrane.

Basic Uses:

TremLock™ Fascia is designed to accept differential movement at roof edges. It also provides an easily installed fascia secured at the roof edge to eliminate penetrations of fasteners through the roofing membrane. Since the fascia can be installed after roofing is completed, the roofing applicator can install the roofing system without contaminating the finish.

Packaging:

Available in 10' (3.05 m) stock lengths.

Available in sizes:

- 6.25" (159 mm)
- 7.75" (197 mm)
- 9.25" (235 mm)
- 10.75" (273 mm)

Available in Gauge Thickness:

- .050" (1.27 mm)
- .063" (1.60 mm)
- 24 gauge (.64 mm)

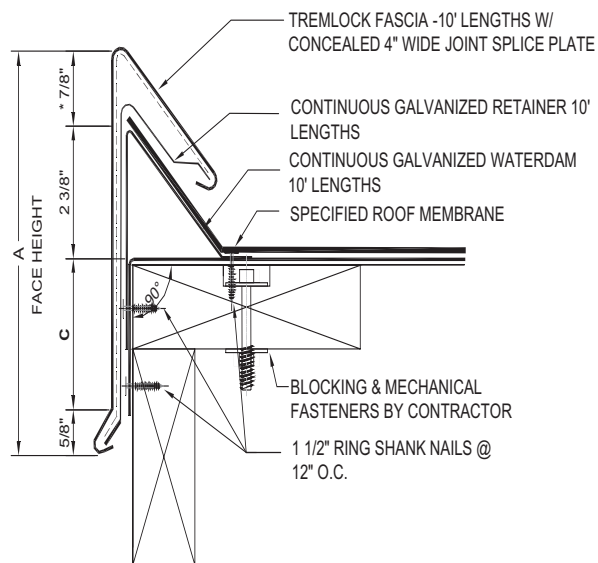
Pre-Fabricated inside and outside corners, scuppers, extenders and additional components available in single units.

Finish/Color:

Standard Aluminum Mill Finish also available with Kynar 500®/Hylar 5000™ High Performance, two coat system consisting of a fluorocarbon base top coat over a quality matched primer, with the same primer on the back side for additional protection. (Refer to color chart for availability and colors).

Installation Procedures:

Starting at the corners, install pre-fabricated galvanized cant and secure to wood nailer. Using 1.5" long galvanized ring shank nails provided at 12" O.C. (304 mm) max. Do not nail through overlap joint. Install nails through vertical surface (face) first. Apply roofing felts to top of cant. When using an elastomeric flashing, wrap flashing over the face of galvanized cant 3" (76 mm) - 4" (102 mm). Flashing membranes shall be installed according to instructions below. When installing the fascia and the retainer, maintain 1/4" (6 mm) joints at fascia and 1" (25 mm) overlap at joints of retainer with these joints a minimum of 6" (152 mm) apart. When flashing has been completed, install retainer.



Product Advantages

Formed Aluminum Components with built-in cant

- Long lasting performance
- Pre-fabricated components
- Reduced labor costs
- Clean neat appearance
- Variety of Kynar 500®/Hylar 5000™ colors

Non-Penetrating Fasteners

- Reduces the possibilities of membrane damage
- Accommodates movement
- Free floating fascia

Miltred & Welded Components

- Eliminates field fabrication of accessories
- Provides a completely engineered edge system

Starting at corner locations and working towards center, fasten the retainer through each pre-punched nail hole using 1.5" galvanized ring shank nails provided. Leave 1/4" gap between sections of retainer for thermal movement.

Elastomeric Flashing sheet to Bituminous Roofing:

Cold adhesive:

Apply Sheeting Bond™ adhesive from top of cant onto horizontal roof membrane. Extend adhesive slightly beyond area to be covered by elastomeric sheeting. Allow Sheeting Bond to flash 20 minutes. Wrap flashing over and down the face of the galvanized cant 3" (76 mm) - 4" (102 mm) while using a steel hand roller press the flashing sheet firmly into sheeting bond. Remove wrinkles/entrapped air. Strip in flashing lap on roof surface, 3 course minimum.

TremLock™ Fascia

Single Ply System:

General:

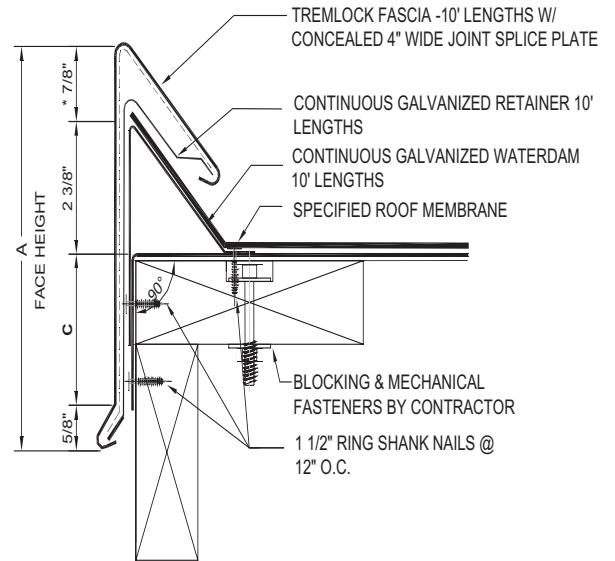
Apply adhesive to galvanized cant. Allow adhesive to flash. Wrap single ply membrane over top of cant and down the face of the galvanized cant 3" (76 mm) - 4" (102 mm) and firmly press into adhesive. Remove wrinkles/entrapped air. Wipe edge with approval solvent/cleaner. Seal lower and vertical edges over laps as specified by manufacturer of single ply membrane.

Availability and Cost:

Contact your local Tremco Representative for pricing and availability. For the name and number of your Representative, call the Roofing Division at 216/292-5000

Maintenance:

Your local Tremco Roofing Representative can provide you with effective maintenance procedures which may vary, depending upon specific conditions. Periodic inspections, early repairs and preventive maintenance are all part of a sound roof program.



Guarantee/Warranty:

Tremco Inc. warrants TremLock™ Fascia to be free of defects and to meet published physical properties when tested according to ASTM and Tremco standards. Under this warranty, any TremLock™ Fascia product that is proved to be defective when applied in accordance to our written instructions, and in applications recommended by Tremco as suitable for this product will be replaced with like product at no charge. THIS IS BUYERS SOLE AND EXCLUSIVE REMEDY. All claims concerning product defects must be made in writing within twelve (12) months of shipment. The absence of such claims in writing during this period will constitute a waiver of all claims with respect to such product. This warranty shall be IN LIEU OF any other warranty, express or implied, including but not limited to, any implied warranty of MERCHANTABILITY OR FITNESS FOR A PARTICULAR PURPOSE.



An RPM Company

3735 Green Road, Beachwood, Ohio 44122
1.800.562.2728 • www.tremcoroofing.com